

Алматы (7273)495-231
Ангарск (3955)60-70-56
Архангельск (8182)63-90-72
Астрахань (8512)99-46-04
Барнаул (3852)73-04-60
Белгород (4722)40-23-64
Благовещенск (4162)22-76-07
Брянск (4832)59-03-52
Владивосток (423)249-28-31
Владикавказ (8672)28-90-48
Владимир (4922)49-43-18
Волгоград (844)278-03-48
Вологда (8172)26-41-59
Воронеж (473)204-51-73
Екатеринбург (343)384-55-89

Иваново (4932)77-34-06
Ижевск (3412)26-03-58
Иркутск (395)279-98-46
Казань (843)206-01-48
Калининград (4012)72-03-81
Калуга (4842)92-23-67
Кемерово (3842)65-04-62
Киров (8332)68-02-04
Коломна (4966)23-41-49
Кострома (4942)77-07-48
Краснодар (861)203-40-90
Красноярск (391)204-63-61
Курск (4712)77-13-04
Курган (3522)50-90-47
Липецк (4742)52-20-81

Магнитогорск (3519)55-03-13
Москва (495)268-04-70
Мурманск (8152)59-64-93
Набережные Челны (8552)20-53-41
Нижний Новгород (831)429-08-12
Новокузнецк (3843)20-46-81
Ноябрьск (3496)41-32-12
Новосибирск (383)227-86-73
Омск (3812)21-46-40
Орел (4862)44-53-42
Оренбург (3532)37-68-04
Пенза (8412)22-31-16
Петрозаводск (8142)55-98-37
Псков (8112)59-10-37

Пермь (342)205-81-47
Ростов-на-Дону (863)308-18-15
Рязань (4912)46-61-64
Самара (846)206-03-16
Саранск (8342)22-96-24
Санкт-Петербург (812)309-46-40
Саратов (845)249-38-78
Севастополь (8692)22-31-93
Симферополь (3652)67-13-56
Смоленск (4812)29-41-54
Сочи (862)225-72-31
Ставрополь (8652)20-65-13
Сургут (3462)77-98-35
Сыктывкар (8212)25-95-17
Тамбов (4752)50-40-97

Тверь (4822)63-31-35
Тольятти (8482)63-91-07
Томск (3822)98-41-53
Тула (4872)33-79-87
Тюмень (3452)66-21-18
Ульяновск (8422)24-23-59
Улан-Удэ (3012)59-97-51
Уфа (347)229-48-12
Хабаровск (4212)92-98-04
Чебоксары (8352)28-53-07
Челябинск (351)202-03-61
Череповец (8202)49-02-64
Чита (3022)38-34-83
Якутск (4112)23-90-97
Ярославль (4852)69-52-93

Россия +7(495)268-04-70

Казахстан +7(7172)727-132

Киргизия +996(312)96-26-47

www.dino.nt-rt.ru | | don@nt-rt.ru

Технические характеристики на пневматические двухмембранные насосы DA15, DA25, DA15, DA40, DA50, DA80 КОМПАНИИ **DINO PUMP**



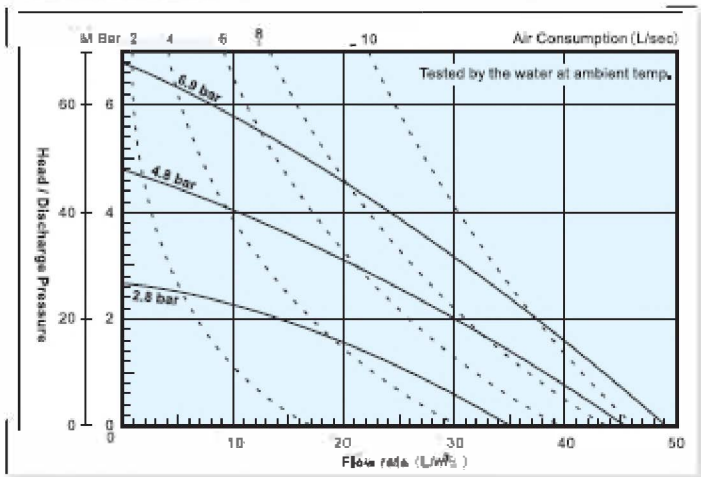
Pneumatic double diaphragm pumps (DA15)

DINOAIR Air Operated Double Diaphragm Pumps 1/2" - PP Material Body

▶ Technical data

Max. Flow Rate: 49(L/m)	Inlet/Outlet: 1/2" NPT
Max. Air Pressure: 6.9bar	Air Inlet: 1/4" NPT
Per Cycle: 0.15L	Max. Particle Size: 3/32" (2.4mm)
Max. Suction Lift: (Dry): 3M	Weight: 3,1kgs(PP)
Carton Dimension: 35x29x19cm	

▶ Performance

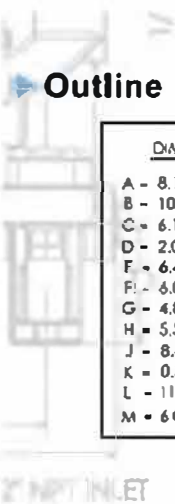


Fitting



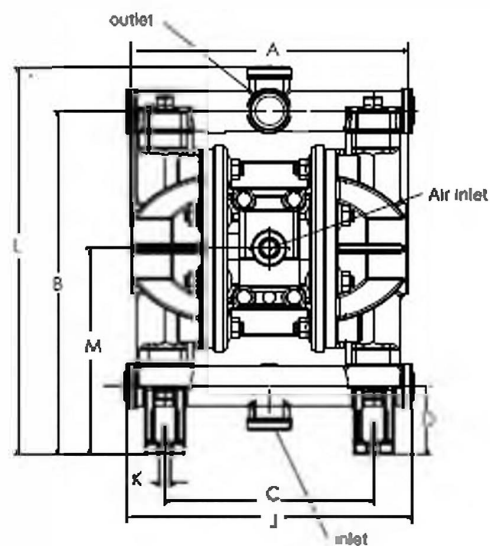
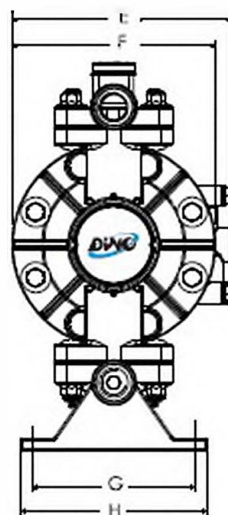
Advantage

- With unbalanced valve design, the pump will never stall/shut down under high/low pressure operation.
- Lubricant-free air chamber.
- Special design of air chamber with excellent air tightness can reduce air consumption effectively.
- The valve rod has high wear resistant and long life span after hard anodized.
- Special design of diaphragm has the longest life span, highest sustainable temperature and least wear parts compared to all the other competitors.



▶ **Outline Drawing**

DIMENSIONS	
A	8.16" (207mm)
B	10.05" (255 mm)
C	6.14" (155mm)
D	2.01" (51 mm)
F	6.47" (164 mm)
F1	6.00" (152 mm)
G	4.81" (122mm)
H	5.50" (140 mm)
J	8.45" (215 mm)
K	0.31" (8 mm)
L	11.33" (288 mm)
M	6.04" (153 mm)





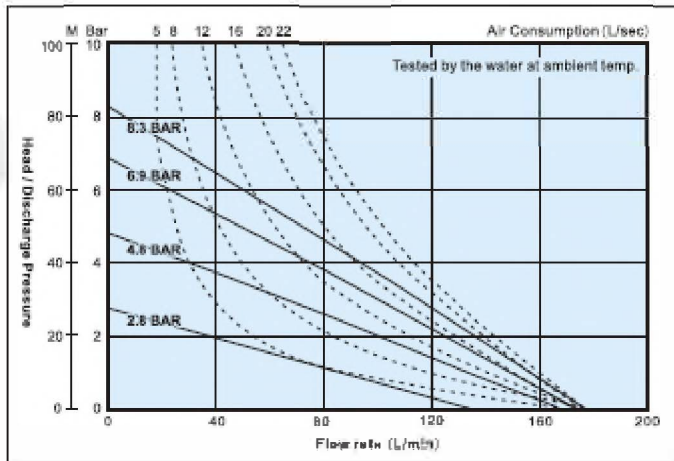
Pneumatic double diaphragm pumps (DA25)

DINOAIR Air Operated Double Diaphragm Pumps 1" -PP Material Body

▶ Technical data

Max. Flow Rate: 175(L/m)	Inlet/Outlet: 1" ANSI
Max. Air Pressure: 8,3bar	Air Inlet: 1/4" NPT
Per Cycle: 0,64L	Max. Particle Size: 1/8" (2,4mm)
Max. Suction Lift: (Dry): 4M	Weight: 9.2kgs(PP)
Carton Dimension: 39x29x45cm	

▶ Performance



Fitting



Advantage

- With unbalanced valve design, the pump will never stall/shut down under high/low pressure operation.
- Lubricant-free air chamber.
- Special design of air chamber with excellent air tightness can reduce air consumption effectively.
- The valve rod has high wear resistant and long life span after hard anodized.
- Special design of diaphragm has the longest life span, highest sustainable temperature and least wear parts compared to all the other competitors.

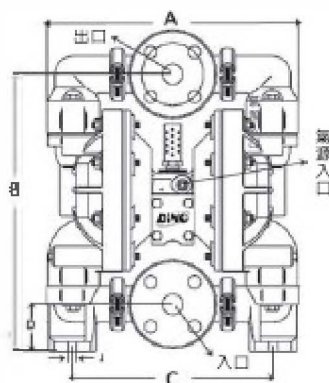
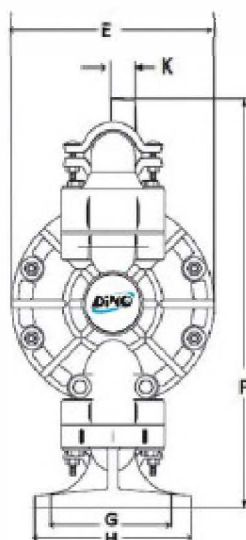
Fitting

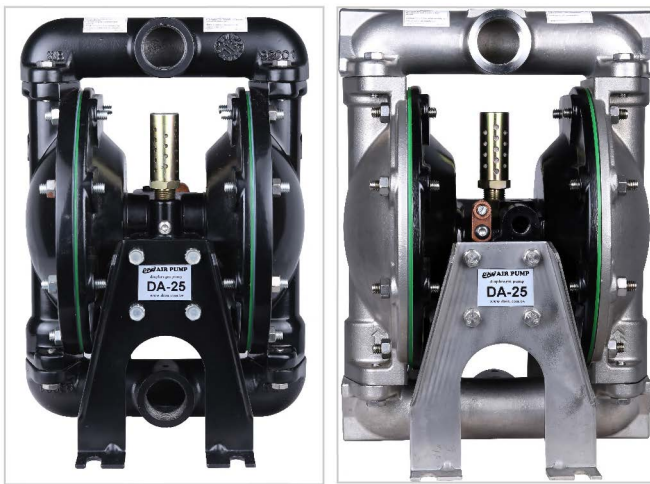


Dimensions

▶ Outline Drawing

DIMENSIONS	
A	12-15/32"(321mm)
B	13-26/32"(349mm)
C	10-1/16"(256mm)
D	2-3/8"(80mm)
E	8-11/16"ØD4mm
F	16"(406mm)
G	5-1/32"(128mm)
H	6-3/32"(160mm)
J	7/16"(111mm)
K	15/16"(23mm)





Air Operated Double Diaphragm Pumps(DA25)

DINOAIR Air Operated Double Diaphragm Pumps

Metal Material : Aluminum 、 Stainless Steel

Technical Data

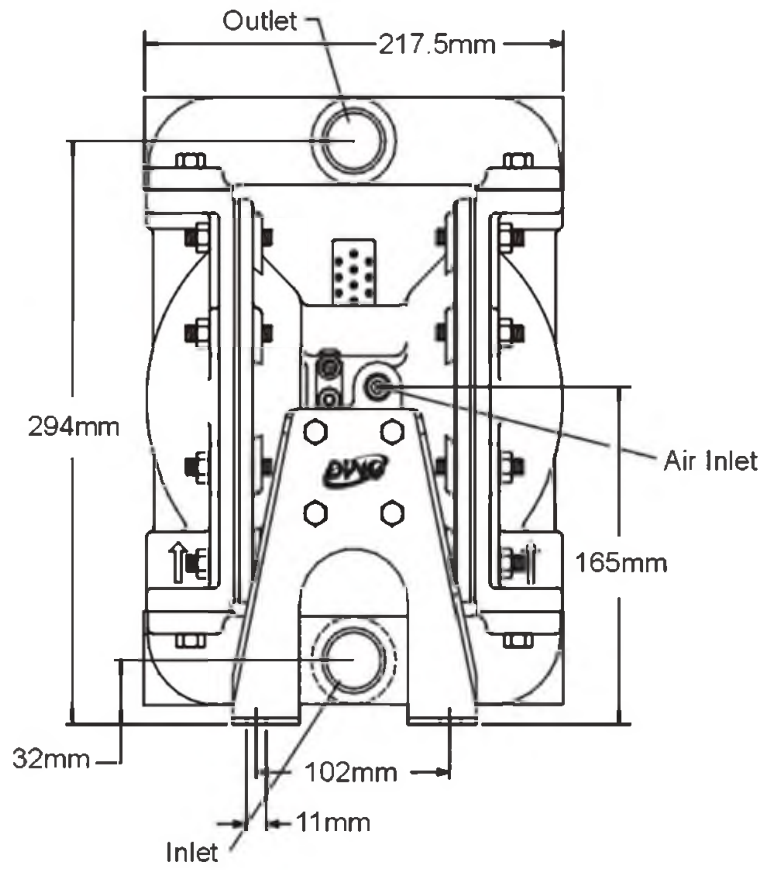
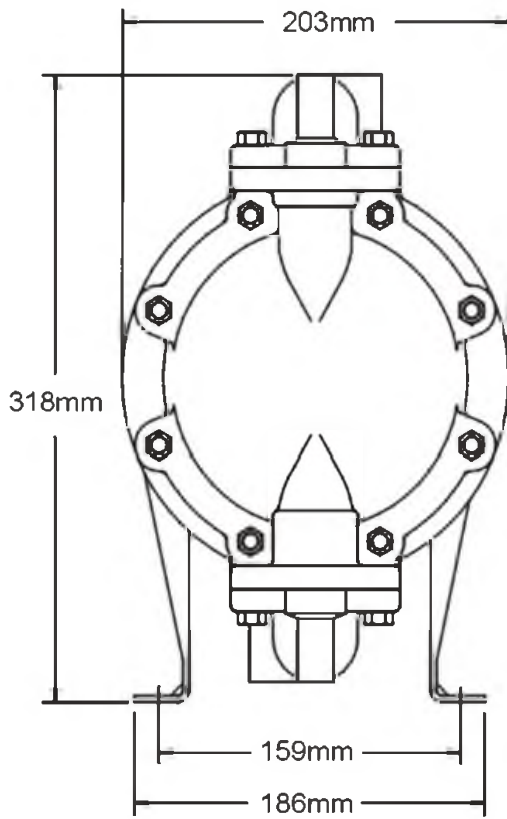
Max. Flow Rate : 131 (L/M)	Inlet / Outlet : 1" BSP
Max. Pressure : 8.3 bar	Air Inlet : 1/4" NPT
Per Cycle : 0.59 L	Air Outlet : 3/8" NPT
Max. Suction Lift (Dry) : 5 m	Max. Particle Size : 1/8" (3.2mm)
Carton Dimension : 24x24x37cm	Weight : 8.6 kgs (Aluminum) 16.3 kgs (SS)

Fitting

Advantage

- With unbalanced valve design, the pump will never stall/shut down under high/low pressure operation.
- Lubricant-free air chamber.
- Special design of air chamber with excellent air tightness can reduce air consumption effectively.
- The valve rod has high wear resistant and long life span after hard anodized.
- Special design of diaphragm has the longest life span, highest sustainable temperature and least wear parts compared to all the other competitors.

Outline Dimension





Air Operated Double Diaphragm Pumps(DA40)

DINOAIR Air Operated Double Diaphragm Pumps

Metal Material : Aluminum · Stainless Steel

↳ Technical Data

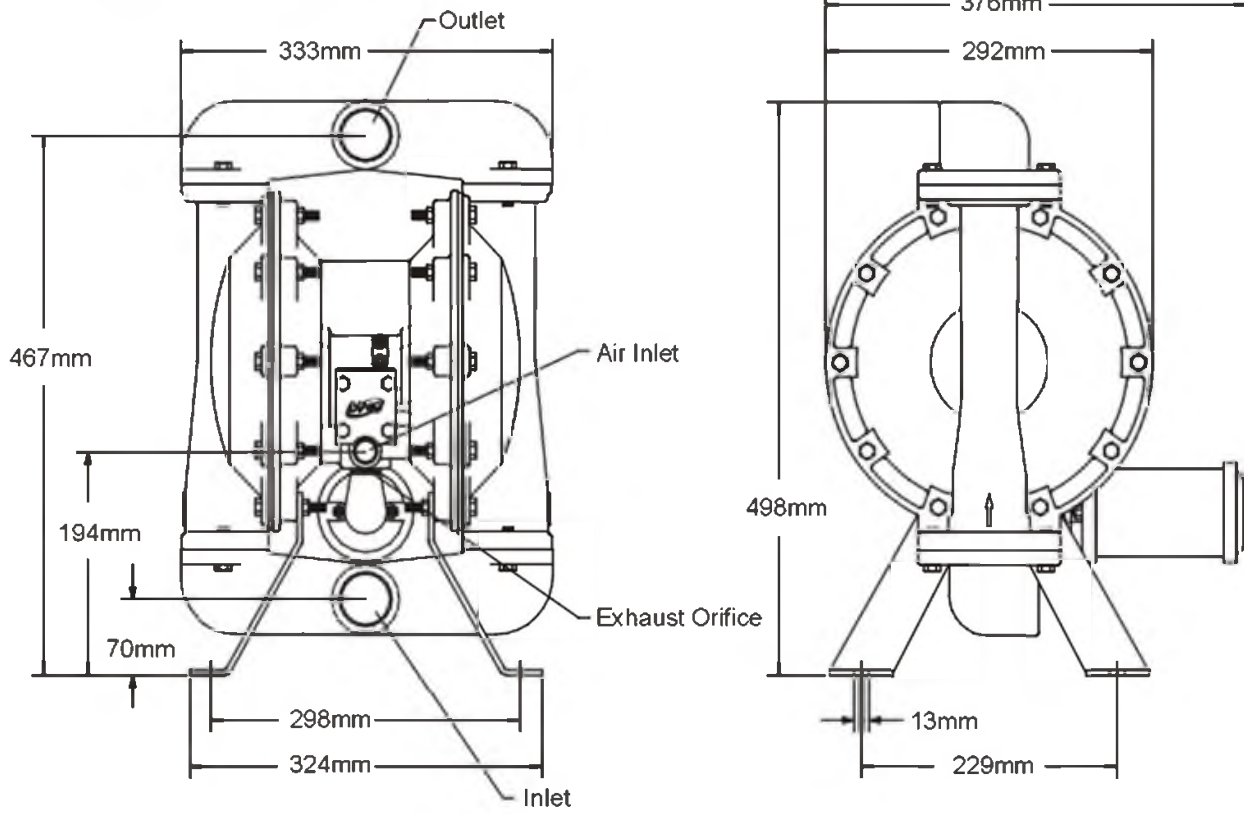
Max. Flow Rate : 337 (L/M)	Inlet / Outlet : 1 1/2" BSP
Max. Pressure : 8.3 bar	Air Inlet : 1/2" NPT
Per Cycle : 2.40 L	Air Outlet : 3/4" NPT
Max. Suction Lift (Dry) : 5 m	Max. Particle Size : 1/4" (6.4mm)
Carton Dimension : 36x33x58cm	Weight : 23.4 kgs (Aluminum) 38.3 kgs (SS)

Fitting

Advantage

- With unbalanced valve design, the pump will never stall/shut down under high/low pressure operation.
- Lubricant-free air chamber.
- Special design of air chamber with excellent air tightness can reduce air consumption effectively.
- The valve rod has high wear resistant and long life span after hard anodized.
- Special design of diaphragm has the longest life span, highest sustainable temperature and least wear parts compared to all the other competitors.

Outline Dimension





Air Operated Double Diaphragm Pumps(DA50)

DINOAIR Air Operated Double Diaphragm Pumps

Metal Material : Aluminum 、 Stainless Steel

↳ Technical Data

Max. Flow Rate : 642 (L/M)	Inlet / Outlet : 2" BSP
Max. Pressure : 8.3 bar	Air Inlet : 3/4" NPT
Per Cycle : 5.25 L	Air Outlet : 1 1/2" NPT
Max. Suction Lift (Dry) : 5 m	Max. Particle Size : 1/4" (6.4mm)
Carton Dimension : 72x44x89cm	Weight : 29.6 kgs (Aluminum) 58.9 kgs (SS)

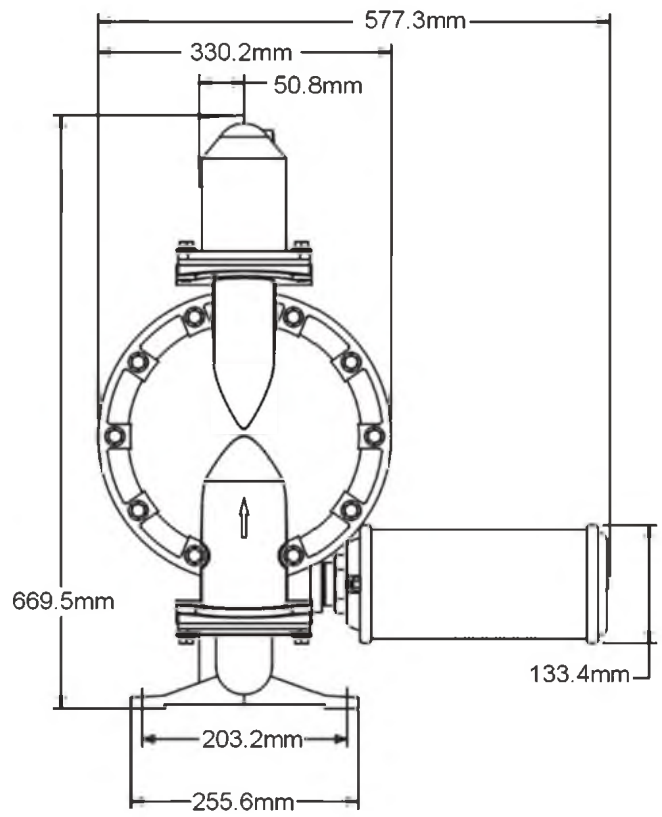
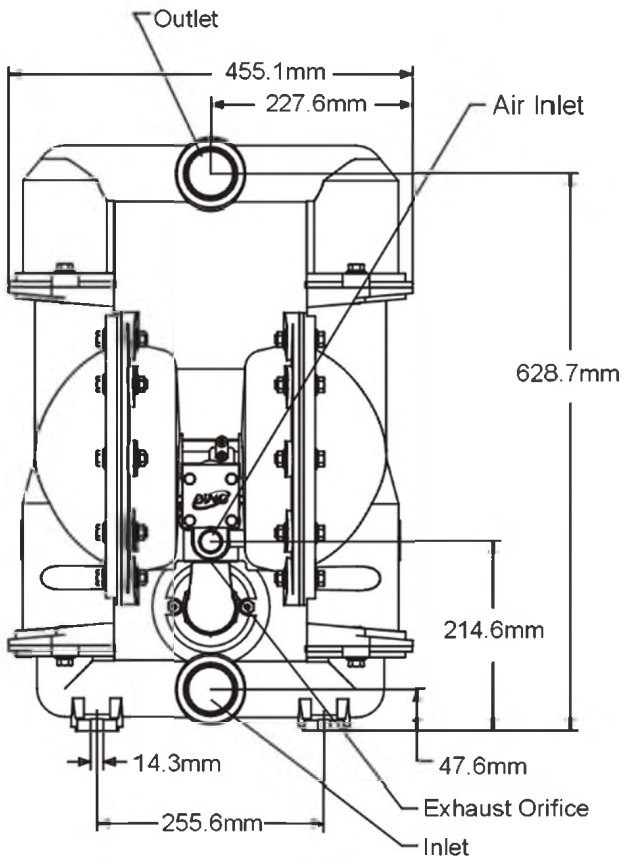
Fitting



Advantage

- With unbalanced valve design, the pump will never stall/shut down under high/low pressure operation.
- Lubricant-free air chamber.
- Special design of air chamber with excellent air tightness can reduce air consumption effectively.
- The valve rod has high wear resistant and long life span after hard anodized.
- Special design of diaphragm has the longest life span, highest sustainable temperature and least wear parts compared to all the other competitors.

Outline Dimension





Air Operated Double Diaphragm Pumps(DA80)

DINOAIR Air Operated Double Diaphragm Pumps

Metal Material : Aluminum · Stainless Steel

Technical Data

Max. Flow Rate : 885 (L/M)	Inlet / Outlet : 3" BSP
Max. Pressure : 8.3 bar	Air Inlet : 3/4" NPT
Per Cycle : 9.92 L	Air Outlet : 1 1/2" NPT
Max. Suction Lift (Dry) : 5 m	Max. Particle Size : 3/8" (9.5mm)
Carton Dimension : 72x44x89cm	Weight : 49.8 kgs (Aluminum) 100.8 kgs (SS)

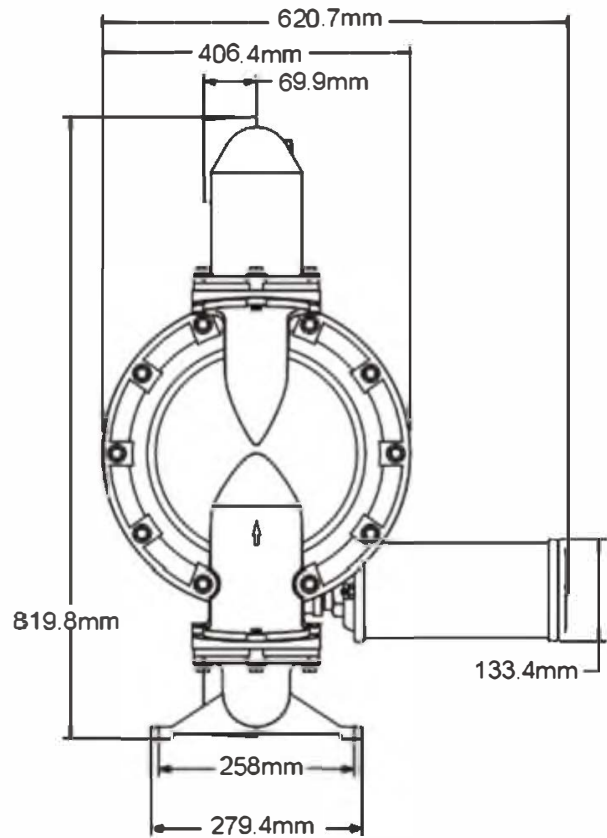
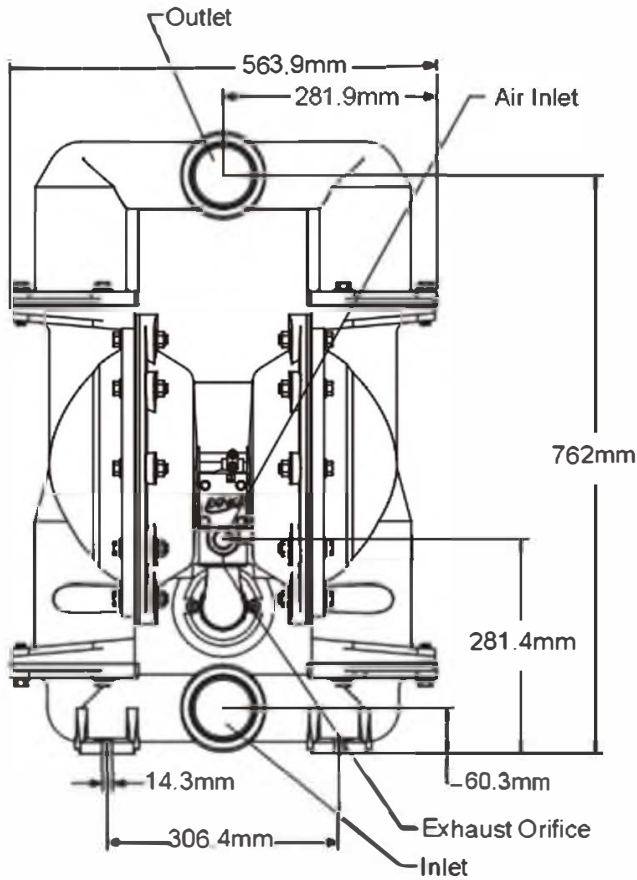
Fitting



Advantage

- With unbalanced valve design, the pump will never stall/shut down under high/low pressure operation.
- Lubricant-free air chamber.
- Special design of air chamber with excellent air tightness can reduce air consumption effectively.
- The valve rod has high wear resistant and long life span after hard anodized.
- Special design of diaphragm has the longest life span, highest sustainable temperature and least wear parts compared to all the other competitors.

Outline Dimension



Алматы (7273)495-231
 Ангарск (3955)60-70-56
 Архангельск (8182)63-90-72
 Астрахань (8512)99-46-04
 Барнаул (3852)73-04-60
 Белгород (4722)40-23-64
 Благовещенск (4162)22-76-07
 Брянск (4832)59-03-52
 Владивосток (423)249-28-31
 Владикавказ (8672)28-90-48
 Владимир (4922)49-43-18
 Волгоград (844)278-03-48
 Вологда (8172)26-41-59
 Воронеж (473)204-51-73
 Екатеринбург (343)384-55-89

Иваново (4932)77-34-06
 Ижевск (3412)26-03-58
 Иркутск (395)279-98-46
 Казань (843)206-01-48
 Калининград (4012)72-03-81
 Калуга (4842)92-23-67
 Кемерово (3842)65-04-62
 Киров (8332)68-02-04
 Коломна (4966)23-41-49
 Кострома (4942)77-07-48
 Краснодар (861)203-40-90
 Красноярск (391)204-63-61
 Курск (4712)77-13-04
 Курган (3522)50-90-47
 Липецк (4742)52-20-81

Магнитогорск (3519)55-03-13
 Москва (495)268-04-70
 Мурманск (8152)59-64-93
 Набережные Челны (8552)20-53-41
 Нижний Новгород (831)429-08-12
 Новокузнецк (3843)20-46-81
 Ноябрьск (3496)41-32-12
 Новосибирск (383)227-86-73
 Омск (3812)21-46-40
 Орел (4862)44-53-42
 Оренбург (3532)37-68-04
 Пенза (8412)22-31-16
 Петрозаводск (8142)55-98-37
 Псков (8112)59-10-37

Пермь (342)205-81-47
 Ростов-на-Дону (863)308-18-15
 Рязань (4912)46-61-64
 Самара (846)206-03-16
 Саратов (8342)22-96-24
 Санкт-Петербург (812)309-46-40
 Саратов (845)249-38-78
 Севастополь (8692)22-31-93
 Симферополь (3652)67-13-56
 Смоленск (4812)29-41-54
 Сочи (862)225-72-31
 Ставрополь (8652)20-65-13
 Сургут (3462)77-98-35
 Сыктывкар (8212)25-95-17
 Тамбов (4752)50-40-97

Тверь (4822)63-31-35
 Тольятти (8482)63-91-07
 Томск (3822)98-41-53
 Тула (4872)33-79-87
 Тюмень (3452)66-21-18
 Ульяновск (8422)24-23-59
 Улан-Удэ (3012)59-97-51
 Уфа (347)229-48-12
 Хабаровск (4212)92-98-04
 Чебоксары (8352)28-53-07
 Челябинск (351)202-03-61
 Череповец (8202)49-02-64
 Чита (3022)38-34-83
 Якутск (4112)23-90-97
 Ярославль (4852)69-52-93

Россия +7(495)268-04-70

Казахстан +7(7172)727-132

Киргизия +996(312)96-26-47